



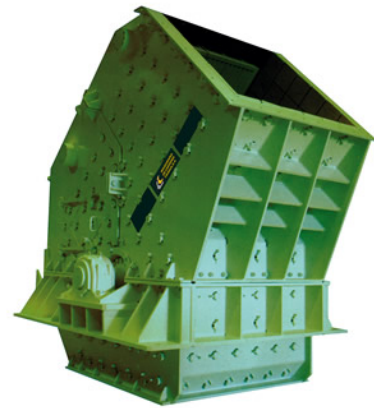
IPT Primary Impact Crusher

We have developed a new generation of primary impact mills designed to crush rocks and minerals of a large size and with low-medium hardness and abrasion factor.

In response to the current requirements in the industry, we have developed a new generation of primary impact mills designed to crush rocks and minerals of a large size and with low-medium hardness and abrasion factor.

The main specifications are as follows:

- High production and low power consumption.
- High reduction capacity.
- Two position impact screens.
- Manganese steel bars that are easy to replace, no bolts.
- Perfect cubicity.
- High percentage of finished materials.



The IPT mills are made up of the following components:

FRAME

Mechanically welded rolled steel with ribs to make up a rugged unit. Three separate parts that are bolted together and with chrome-molybdenum fairing pieces that are easy to replace. The rear frame swings to confer access for maintenance and repair servicing interior. Side hatches for inspection of bars.

The lower frame is of an extra rugged design to prevent deformations in the support footings and to withstand the static and dynamic loads in the machine.

The inlet is located in the third frame piece and its design helps to prevent obstruction of materials on the input ramp.

ROTOR

Extra rugged design, mechanically welded, reinforced with



mechanized pieces for supporting the bars, which are mounted with tightening wedge pieces and no bolts.

AXLE

Treated steel alloy, fixed to rotor with conical sockets and stops to eliminate tension in weld seams.

BEARINGS

Self-aligning, high load capacity, double row rollers fixed to axle with conical sockets and nuts.

SUPPORTS

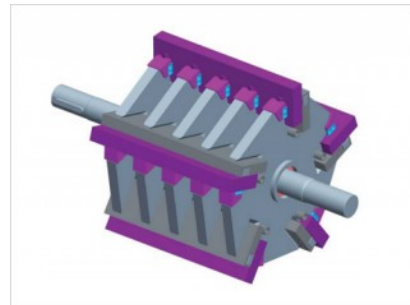
Mechanized steel, extra rugged design for rough work, labyrinth seals. EP-2 lubrication.

OPTIONS

Hydraulic screen displacement Adjustable 3rd impact screen

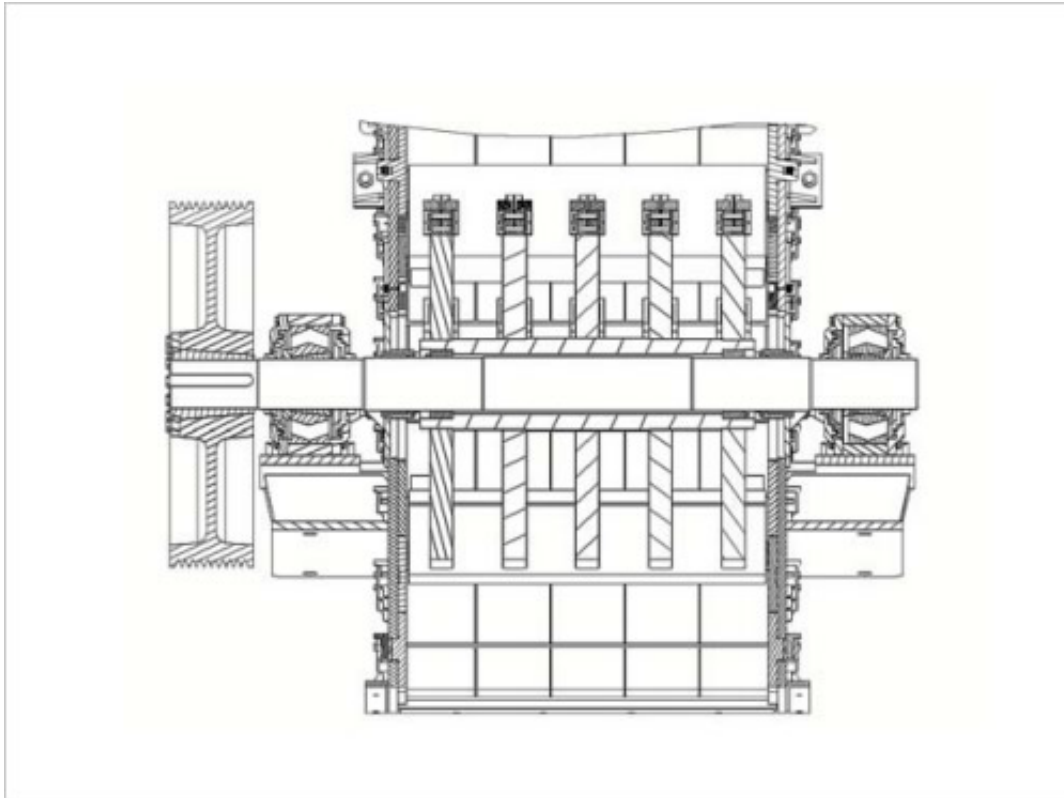
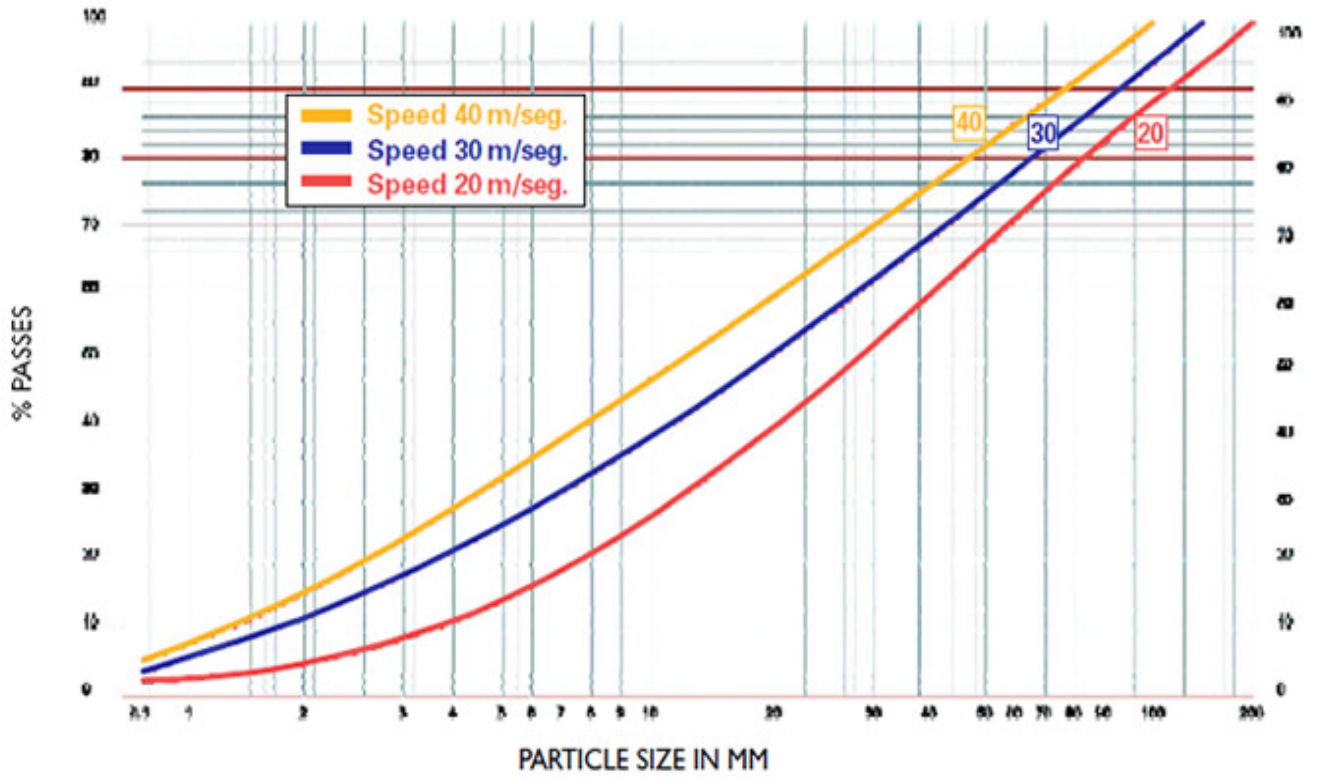
TWO POSITION IMPACT SCREENS

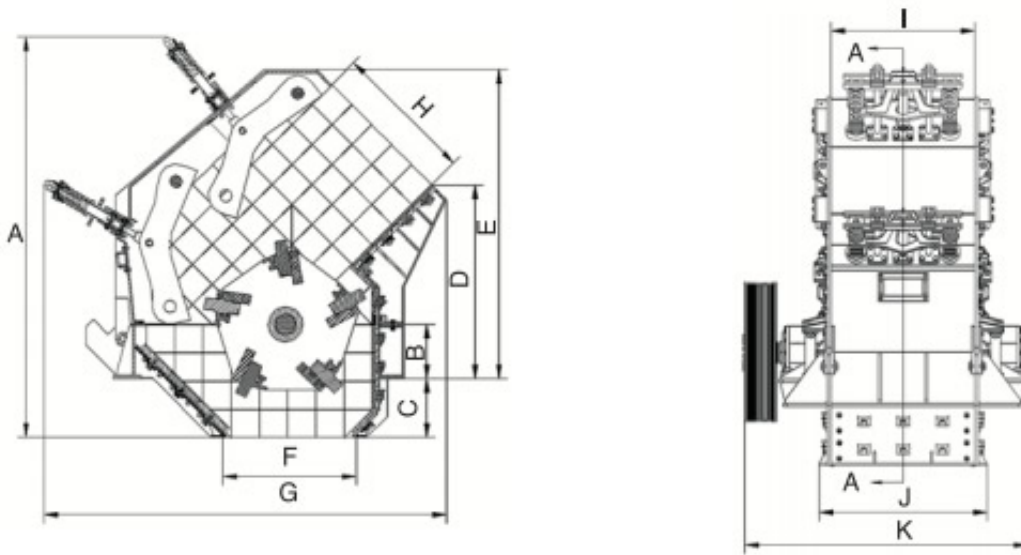
BOLTLESS BARS



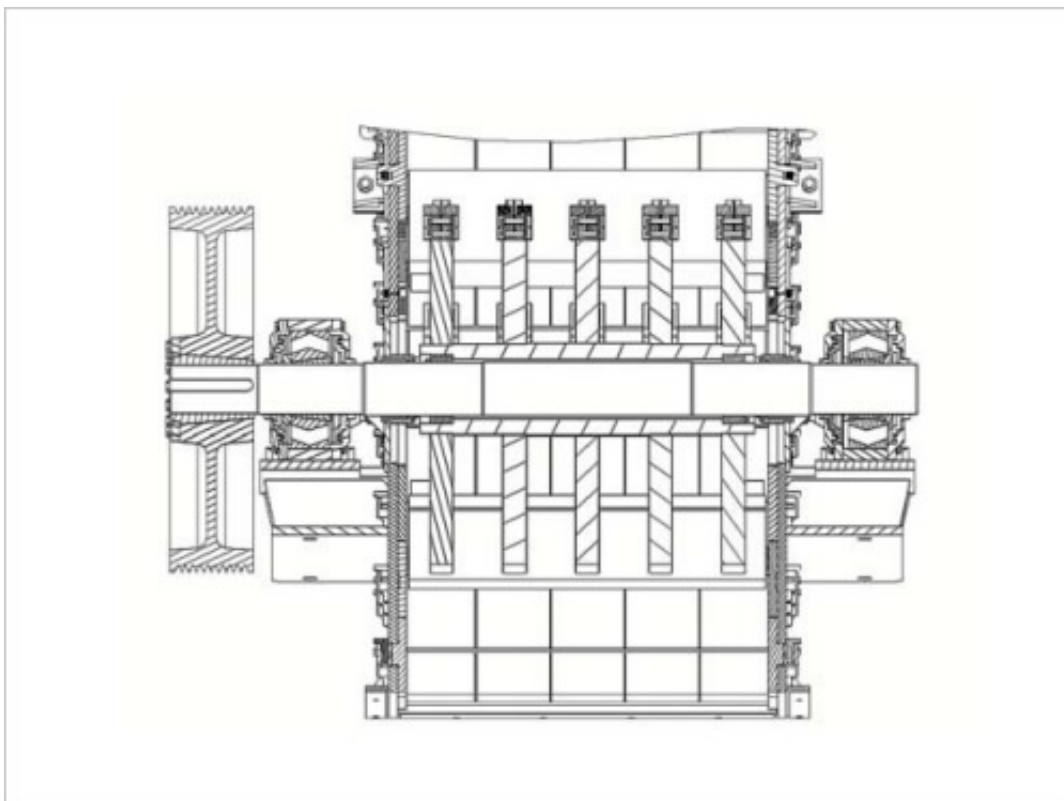
MODEL	Inlet Width mm	Inlet Height mm	WEIGHT kg.	*Input particle Size mm	Power Kw	Production Tn/h
IPT-7	1.250	1.300	24.000	900	160-200	250/350
IPT-8	1.620	1.500	38.000	1.000	250-300	350/450
IPT-9	1.850	1.600	52.000	1.200	350-420	450/550
IPT-10	2.300	1.700	78.000	1.300	420-600	600/800
IPT-11	2.760	1.850	105.000	1.400	800-1000	1000/1300

% THAT PASSES THROUGH THE SIEVE

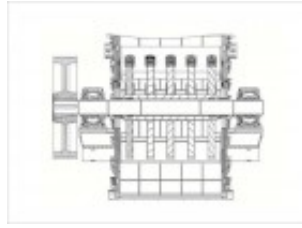




MODEL	A	B	C	D	E	F	G	H	I	J	K
IPT-7	3.445	470	465	1.710	2.770	1.200	3.500	1.350	1.300	1.530	2.640
IPT-8	3.895	520	515	1.963	3.146	1.430	4.090	1.535	1.620	1.850	2.875
IPT-9	4.200	600	595	2.230	3.580	1.550	4.400	1.600	1.900	2.130	3.470
IPT-10	4.955	700	695	2.460	3.940	1.700	4.910	1.700	2.350	2.580	4.020
IPT-11	5.200	770	765	2.730	4.400	1.900	5.350	1.850	2.800	3.030	4.650



IPT PRIMARY IMPACT CRUSHER



© MAQUINARIA DE CANTERAS TRIMAN, S.A.U.

Calle Yanguas y Miranda, 1 Bajo, 31002 Pamplona, Navarra (España) Tel +34 948 20 71 00 / Mail comercial@triman.es